



Forklifts

Electric

CE ISO 9001



Electric

CE ISO 9001





Forklifts ▶



The New Range of Artison Counterbalanced Forklift Trucks are guaranteed to offer a perfect combination of Value for Money, Inbuilt Quality, Robustness, Reliability and innovative designs.

The Manufacturer, based in Taiwan, enjoys the position of being a Hi-Tech manufacturer of Precision CNC Machinery, OEM narrow aisle warehouse equipment and 30,00 Forklift trucks per year. Having such a precision build factory ensures the proven design & reliability of technical innovations, such as Solenoid Auto Transmissions fitted with oil coolers, ensure the trucks are more than able to cope with the most arduous operating conditions.

The range includes trucks from 1500Kg to 3000Kg in the FB & FBT Electric range and 1500Kg to 10000Kg in the ICE range with lift heights available up to 6000mm. The range of power derivatives are LPG, Diesel and Battery (AC power).

Quality is a major reason why Artison Forklift trucks have grown in popularity across Europe. The Factory has attained BVQI London accreditation for quality and ensured compliance for ALL models to EN1726:1 1999 "Safety of Industrial trucks up to and including 10000Kg"

All Artison trucks are fully serviceable using a combination of branded parts such as SME (Italy) controllers available from most Forklift Truck outlets, UK distribution points and our own stock of OEM parts 93% ex stock and the remainder on a 48 hr service.

We guarantee that once you opt for Artison Forklift Trucks in your workplace, you will be hard pressed to surpass the overall advantages attained and become a loyal partner.

price + quality = VALUE | parts + service = PEACE OF MIND | value + peace of mind = ARTISON

Load Backrest, Lights, Indicators, Adjustable rake steering

Spaciously designed integral chassis with reinforced overhead guard

Ergonomically designed to aid optimum manoeuvrability

SME (Italy) AC controllers for smooth power and reduced maintenance

Hydrostatic Power Steering - precise and effortless



48 volt heavy duty battery, 80 volt heavy duty battery, models specific

Easily accessible for maintenance

Pneumatic or Puncture proof SE Tyres

Auto adjusting brakes to optimise braking

Mast assemblies from European steel.
Duplex Wide View, Full Free lift or Triplex. Lift heights 3000mm to 6000mm



value + peace of mind = ARTISON



Fully Integrated Monocoque Chassis.

The chassis is of one piece construction incorporating items such as hydraulic oil tank and overhead guard. This type of fully welded construction maximises the strength and rigidity. Following fabrication the chassis is sandblasted prior to priming and painting. Factory orders can be in any colour desired.

Artison adjusts to operator

- 1: Whoever drives the Artison, size does not matter.... as the steering column rake and the Grammer seat adjust to the optimum setting for comfort.
- 2: The new multi function LCD dashboard provides more information for the operator.
- 3: Highly rigid 10 roller carriage.
- 4: Freeview mast assembly affording optimum visibility.
- 5: Streamlined counterweight affording optimum manoeuvrability.
- 6: Fully compliant with European directives.



1

2

3



4

5

6

ARTISON features and benefits



Hydraulic Lift Cylinder Safety Check Valve.

Should there be an occurrence of pipe failure in the lifting circuit then these pressure sensitive valves allow the forks to descend slowly in a controlled manner thus affording optimum safety.



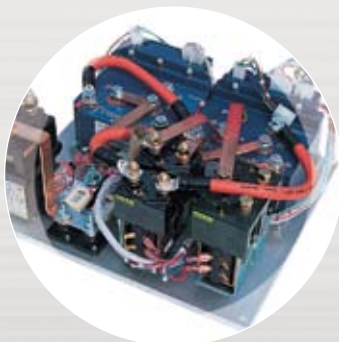
Full Hydrostatic Steering

Hydrostatic Steering works by taking off pressurised hydraulic fluid from the pump and pressurising the steering ram at the rear end of the truck. Firstly this minimises the effort required to steer the wheels when stationary and secondly it removes any direct mechanical linkage and therefore reduces the feedback shocks encountered when using the truck on uneven surfaces.



Safety Features

- Front and Rear work lights
- Indicators
- Pulsing xenon beacon
- Reversing alarm
- Seat belt
- Anti roll back with adjustable ramp stop time
- Electrically assisted braking
- Regen braking

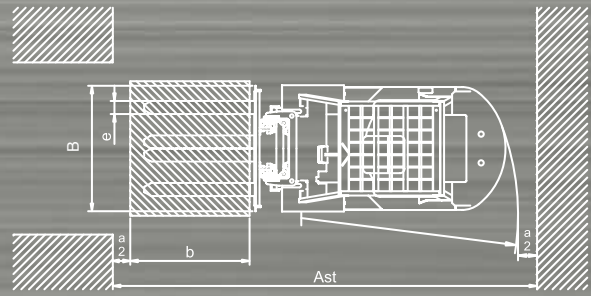
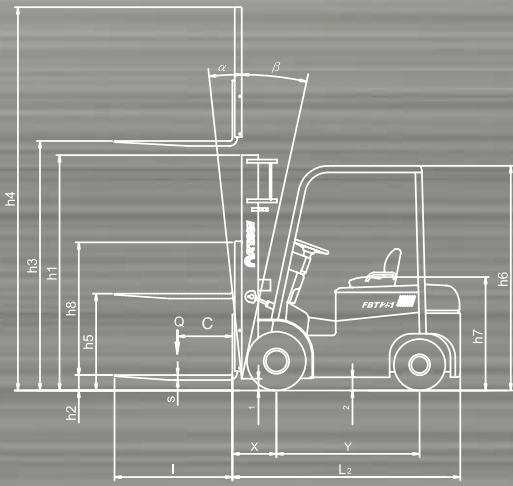


Worldclass Electronic Controllers

FB range - SME (Italy) AC controller solid workhorse.

FBT range - SME (Italy) AC motor controller
Efficient, smooth, less motor maintenance.

Driver select - economy, standard, high



$$Ast = x + R + b + a$$

a = Clearance (200mm) b = Load Length

Specifications

ITEMS	MODEL	FB 15	FB 18	FB 20	FB 25	FB 30	FBT 15	FBT 18
Capacity	Kg Q	1500	1750	2000	2500	3000	1500	1750
Load Centre	mm C	500	500	500	500	500	500	500
Overall Width	mm B	1115	1115	1200	1200	1260	1070	1070
Overall Length without Forks	mm L2	2095	2095	2330	2330	2450	1940	1960
Fork Length	mm l	1070	1070	1070	1070	1070	1070	1070
Fork Thickness	mm s	35	35	40	40	45	35	35
Standard Lift Height	mm h3	3000	3000	3000	3000	3000	3000	3000
Lowered Height Standard Mast	mm h1	2135	2150	2150	2150	2150	2135	2135
O/A Maximum Height	mm h4	4519	4220	4220	4220	4220	4519	4519
O/A Overhead guard height	mm h6	2040	2040	2150	2150	2150	2070	2070
Free Lift	mm h5	140	140	140	140	150	140	140
Load Back Rest Height	mm h8	1220	1220	1220	1220	1220	1220	1220
Carriage Face to Drive Wheel CL	mm x	400	400	450	450	460	370	370
Wheelbase	mm y	1380	1380	1540	1540	1640	1350	1350
Min. Outside Turning Radius	mm R	1860	1860	2075	2075	2195	1570	1590
90° Stacking Aisle (800mm x1200mm pallet)	mm Ast	3260	3260	3525	3525	3655	2940	2960
Ground Clearance @ Lowest Point	mm m2	105	105	105	105	105	99	99
Seat Height	mm h7	1030	1030	1150	1150	1150	1015	1015
Front Tyre	mm	21 x 8 x 9-14	21 x 8 x 9-14	23 x 9-10	23 x 9-10	23 x 9-10-20	15 x 4.5 x 8	15 x 4.5 x 8
Rear Tyre	mm	5.00-8-8	5.00-8-8	18 x 7-8	18 x 7-8	18 x 7-8	18 x 7-8	18 x 7-8
*(B) Battery voltage	V	48	48	48	48	80	48	48
*(B) Standard battery capacity	Ah/5Hr	460/600	460/600	700/750	700/750	560/800	505/600	505/600
*(B) Charger	Ah/5Hr	48/60 12Hr	48/60 12Hr	80/70 12Hr or 80/80 12Hr			48/60 12Hr	48/60 12Hr
*(B) Weight	Kg	780	780	1480	1480	1480	845	845
*(E) Hydraulic motor	Kw	15	15	15	15	22	15	15
*(E) Traction motor	Kw	8	8	8	8	9	6.5	6.5

*(B) Battery *(E) Electric

Specification are subject to improvements and changes without notice



Forklifts

Electric

CE ISO 9001



Dealer details

