

MR06

Radio remote
system for hoisting
applications



CHARACTERISTICS:

Radio remote system for hoisting applications -wired rope hoists and chain hoists- COMPATIBLE with safety standard Cat.3 CE EN-954-1 or EN 13849. Also valid to use in AC powered installations and applications in which those maneuvers need to be managed or controlled by relays. Available receiver power supplies (24-48-155 and 230v AC)

with a maximum of 6 output relays.

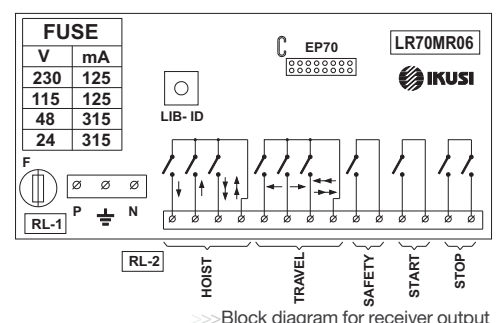
- New tactile and high sensitivity keyboard.
- Slim dimensions and reduced weight.
- Ergonomic transmitter with one or two step pushbuttons.
- Automatic working channel selection.
- Auto ID teaching function and ID releasing function from the current transmitter or from

a new transmitter.

- Remotely programmable receiver's outputs using the programmer module -radio remote programmer module-.
- EP70 EEPROM or detachable SIM module compatibility -TM70 range- to backup or to restore system's configurations.



>>> R70MR06 Receiver



TECHNICAL SPECIFICATIONS:

MODELS	IKUSI's PART NUMBER
70ME803 TM70MR06-870-230-E	3302655
70ME905 TM70MR06-915-115-2E	3302660
70ME403 TM70MR06C3-433-230-2E	3302662
70ME805 TM70MR06-870-48-2E	3302665
70ME405 TM70MR06C3-433-48-2E	3302668
70ME409 TM70MR06C1-419-48-2E	3302672
70ME410 TM70MR06C1-419-230-2E	3302673
TRANSMITTER CHARACTERISTICS	TECHNICAL SPECIFICATIONS
Available frequency. REF 3302655-3302665	870MHz
Available frequency. REF 3302660	915MHz
Available frequency. REF 3302662-3302668	433MHz
Available frequency. REF 3302672-3302673	419MHz
RF Power (ERP)	< 1mW 915MHz / < 5mW 870MHz / < 10mW 433MHz
Modulation type	FSK a 4.800 bps y 7.200 bps
Protection	IP65 / NEMA-4
Channel bandwidth / Number of IDs	25KHz / 64K per band
Response time	< 150ms
Antenna	Internal: printed circuit board integrated
Weight	180 gr (without batteries)
Dimensions	Length = 160mm / Wide = 75mm / Height = 45mm
Non rechargeable (Alkaline) and rechargeable (NiMH) batteries	Alkaline type AA 1,5V 2600mAh (-10°C / +50°C) (14°F / 122°F) Commercial Range
	NiMH type AA 1,2V 1200mAh (-20°C / +70°C) (-4°F / 158°F) Industrial Range
Battery life	>12h (100% duty cycle) Alkaline 2600mAh
	>6h (100% duty cycle) NiMH 1200mAh
EEPROM	Internal / External EP70 -optional-
Operating temperature range	-20°C / +70°C (-4°F / 158°F)
Signalling	1 bicoloured LED (RUN labelled)
Acoustic signalling	Internal buzzer
Number of functions	2 functions max. (2 steps) + ON/STOP function + START function
RECEIVER CHARACTERISTICS	TECHNICAL SPECIFICATIONS
Available frequency. REF 3302655-3302665	870MHz
Available frequency. REF 3302660	915MHz
Available frequency. REF 3302662-3302668	433MHz
Available frequency. REF 3302672-3302673	419MHz
Power supply. REF 3302660	115V AC 50/60Hz (+20% / -30% Vin)
Power supply. REF 3302655-3302662-3302673	230V AC 50/60Hz (+20% / -30% Vin)
Power supply. REF 3302665-3302668-3302672	48V AC 50/60Hz (+20% / -30% Vin)
Number of outputs / STOP function	6 relay outputs (3 Hoist / 3 Travel).Valid for CE hoisting applications / STOP function Category.3 accordjng with safety standards EN-954-1 or EN 13849)
Protection	IP65 / NEMA-4
Antenna	Printed circuit board integrated (standard)
Weight	640 grs.
Dimensions	Length = 151 mm / Wide = 129mm / Height = 61mm
EEPROM	Internal
Status signalling	MultiLED: 7 LED visible externally
Connexions	Plug-In terminals: inputs/outputs with PG16 / M20 model output cable gland.
Maximum current over resistive load	6A
Operating temperature range	-20°C / +70°C (-4°F / 158°F)

PROGRAMMABLE VALUES by EEPROM		
Parameter	Default value	Range (programmable values)
START (LLAVE SOFTWARE)	NO	See User's Manual
SEARCH MODE	OFF	ON, OFF. (SEARCH MODE)
TOUT LATENCY	4min	1 to 6min; steps of 1 min, and infinite ("INF" value) minutes. (Time to LATENCY state).
TOUT OFF	15min	10 to 20min step of 1 min, and infinite ("INF" value). (Time from LATENCY state to "Stand-by" state or "low consumption" mode).
TSTOP	2s	1 to 10sec.: steps of 0,1sec. (Passive STOP time)
OUTMODE	MOMENTARY	MOMENTARY or LATCHING (OUTPUTS: OPERATING MODES)
SOFTSTART	ON	ON or OFF (Enable or Disable soft start)
SOFTSTOP	ON	ON or OFF (Enable or Disable soft stop)
ACCEL RAMP	0,1s	0,0sec, 0,1sec, 0,2sec, 0,3sec, 0,4sec, 0,5sec, 0,6sec, 0,8sec, 1,0sec, 1,2sec, 1,5sec, 1,7sec, 2,0sec, 2,5sec 3,5sec, 5.0sec (Ramp acceleration adjustment for each output)
DECEL RAMP	0,1s	0,0sec, 0,1sec, 0,2sec, 0,3sec, 0,4sec, 0,5sec, 0,6sec, 0,8sec, 1,0sec, 1,2sec, 1,5sec, 1,7sec, 2,0sec, 2,5sec 3,5sec, 5.0sec (Ramp deceleration adjustment for each output)
PWM FREQ	300Hz	30Hz to 300Hz; Step = 10Hz. (R70MP10: PWM output frequency adjustment. Independent for each output).

DESCRIPTION

Radio remote system for hoisting applications –wired rope hoists and chain hoists- compliant with safety STOP function according with standard Category.3 CE EN-954-1 or EN 13849. Also valid to use in AC powered installations and applications in which those maneuvers need to be managed or controlled by relays. Available receiver power supplies (24-48-155 and 230v AC) with a maximum of 6 output relays.

- New tactile and high sensitivity keyboard.
- Slim dimensions and reduced weight.
- Ergonomic transmitter with one or two step pushbuttons.
- Automatic working channel selection.- programmable by Eeprom setup-
- Auto ID teaching function
- ID releasing function from the current transmitter or from a new transmitter
- EP70 EEPROM or detachable SIM module compatibility -TM70 range- to backup or to restore system's configurations providing an easy and fast maintenance using a spare trasnmsitter



HEADQUARTERS - SPAIN

IKUSI - Ángel Iglesias S.A.

Pº Miramón, 170 · 20009 San Sebastián · SPAIN

Tél.: +34 943 44 88 00 · Fax: +34 943 44 88 20

tlc@ikusi.com · www.ikusi.com